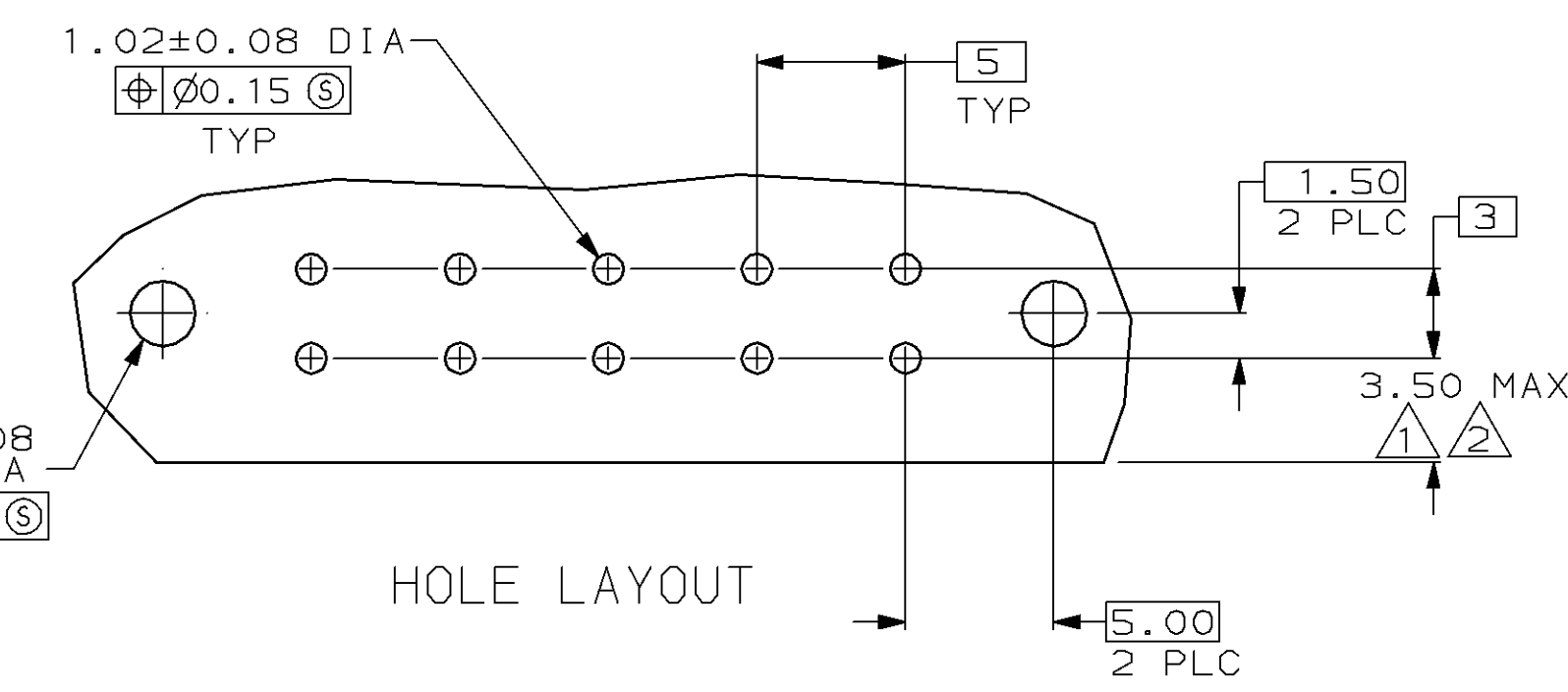
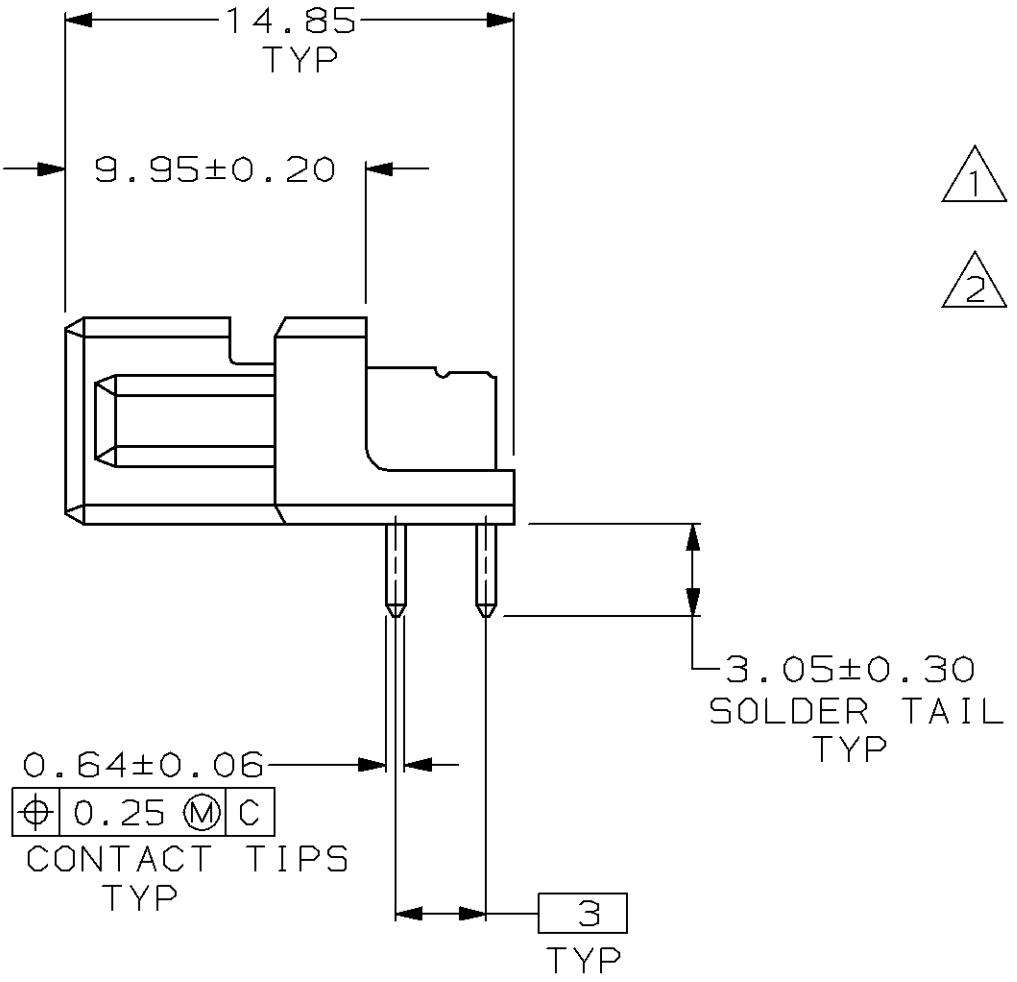
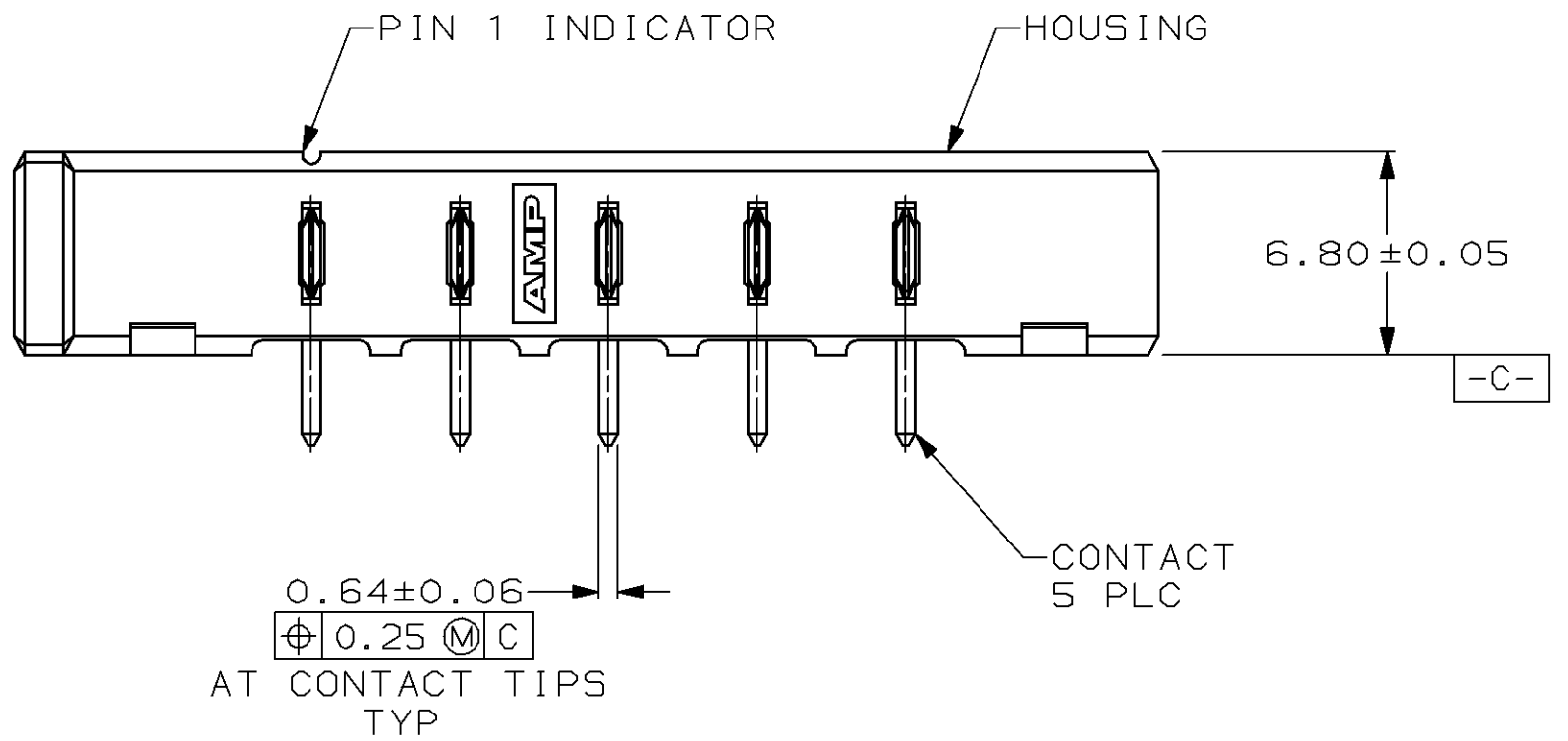
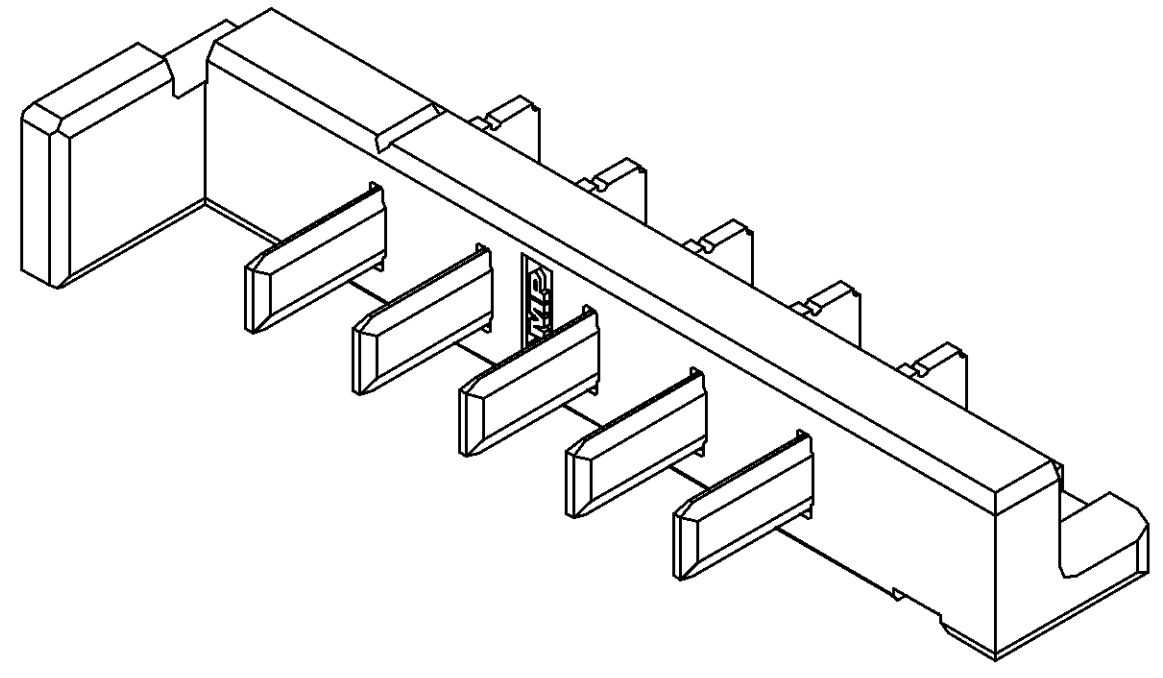
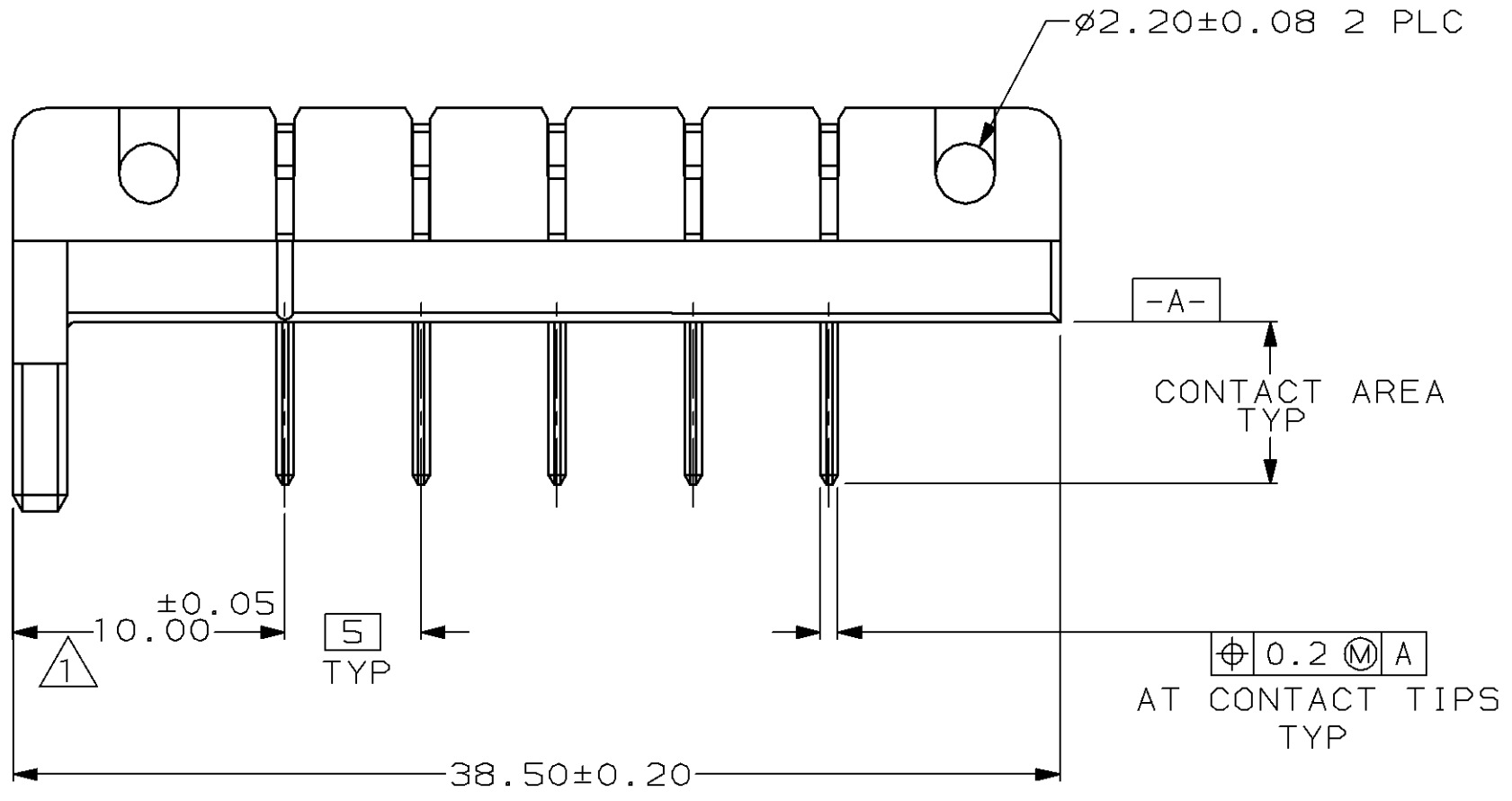


LOC	DIST	P	F	REVISIONS				
				ZONE	LTR	DESCRIPTION	DATE	APPD
AD	39			0		RLSE PER NPR 5135, WAS 94-1878-66-1	07/05/94	RSK
				A		REV PER EC 0020-982-94	09/12/94	RSK
				B		REV PER EC 0020-1339-94	12/08/94	RK
				C		REV PER EC 0020-0657-96	12/06/96	RK



DO NOT SCALE PRINT. UNLESS SPECIFIED DIMENSIONS IN mm TOLERANCES ON: 2 PLC DEC ± 0.10 3 PLC DEC \pm - ANGLES \pm -		DR 06-07-94 G.DOUTY	787246-1 PART NO	
MATERIAL HOUSING: LCP COLOR: BLACK CONTACTS: BRASS	CHK 06-30-94 S.KLINE	APPD 06-30-94 S.KLINE	AMP Incorporated Harrisburg, PA 17105-3608	
FINISH CONTACTS: 2.54 μ m MIN TIN-LEAD ON SOLDER TAIL OVER 1.90 μ m MIN NICKEL ALL OVER.	APPD 06-30-94 S.KLINE	PRODUCT SPEC -	NAME HEADER ASSEMBLY, RIGHT ANGLE, LEFT VOLTAGE KEY, 10.8V, BATTERY INTERCONNECTS	
	APPLICATION SPEC -	WEIGHT -	SIZE C	CAGE CODE 00779
			DRAWING NO G=787246	
			SCALE 4:1	SHEET 1 OF 1